

LEVEL
2

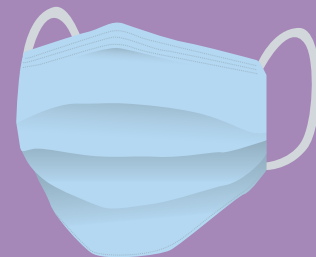


MEDICAL

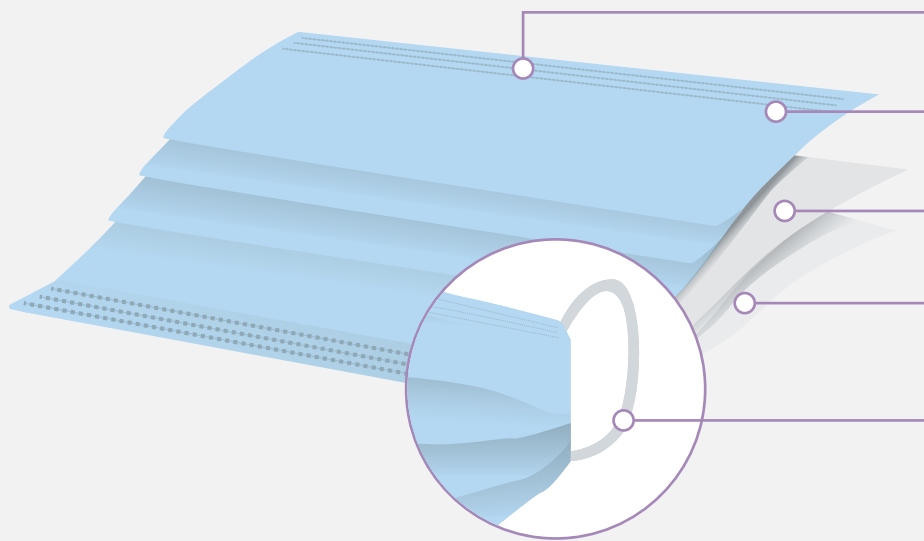


PHYSICAL CONFIGURATION AND DESCRIPTION

- 3 layers of media combined with nose piece and two earloops
- Packed 50 masks per box (Box dimensions: 7.5" x 4" x 3.5")
- 12 boxes per master case
- Mask Dimension: 175mm x 95mm



MATERIALS



NOSE PIECE

Plastics coated, iron core for customizable fit

BLUE SPUNBOND OUTER LAYER

for distinction and protection

MELTBLOWN INNER LAYER

for optimal filtration and breathability

WHITE SPUNBOND INNER LAYER

for softness and comfort

EARLOOPS

crafted from 70% polyester and 30% spandex material for comfort and versatility

COMPLIANCE

ASTM F2100 LEVEL 2

(3rd party test report available upon request)

Standard specification for performance of materials used in face masks compliant to ASTM F2100 Level 2

BFE % ASTM F2101 (3.0 micron filtration)	PFE % ASTM F2299 (0.1 micron filtration)	ASTM F1862 Synthetic Blood	Differential Pressure, ΔP for breathability	Flammability 16 CFR Part 1610
≥98	≥98	Pass at 120 mmHg	<6.0 mmH ₂ O/cm ²	Class 1 (≥ 3.5 seconds)